

# Hochiki CHQ-WS/W Wall Sounder Installation Instructions



## Introduction

The Loop Powered Wall Sounder (CHQ-WS/W) is an external-use electronic sounder unit which can produce up to 100dB(A) output and is fully addressable via the Hochiki ESP (Enhanced Systems Protocol).

## Address Setting

The CHQ-WS/W needs to be manually addressed between 1 and 127 which is achieved by using the Hochiki Hand Held programmer (TCH-B100) with Programming Lead PL3. Addressing should be carried out **before** installation\*. To open the unit, unscrew the four corner bolts from the front face of the horn section with the Allen key provided (see Fig 1), and pull the two halves apart. Inside the unit on the back of the horn section is the main PCB (see Fig 2). Next to the terminal block is the programming lead connector socket.

Plug the square polarised plug of the PL3 Programming Lead into this socket and the jack plug end into the TCH-B100. Set the address in the usual way (refer to TCH-B100 instructions for further details).

## Fixing the Base

The top and bottom faces of the back box are provided with three drill point marks (see Fig 3). Use these marks to drill a suitable size hole, typically 20mm, to allow glands to be used for cable entry before fixing to the wall. The back box has four, pre-drilled fixing holes, one in each corner, all of which should be used when fixing the sounder to the wall with appropriate fixings.

## Wiring the Base

Suitable glands must be used to pass the cabling through the entry holes (not supplied) to ensure IP integrity. Use appropriate connectors as shown in Fig 4 to ensure that glands do not come into contact with PCB. Once the cable gland has been fitted pass the cables through the glands and connectors and wire into the appropriate terminals on the terminal block of the horn. Connect wiring as shown on the label adjacent to the terminal block and as detailed in Fig 6 (over). To ensure there will be enough room for the cabling inside the unit when closed, position the terminal block opposite the cable entry holes and ensure the cables extend at least 70mm from the insertion gland into the unit to reach the Terminal Block (see Fig 5).

## Precautions

- ❑ Ensure that the wall sounder is installed in accordance with Local Standards or Regulations.
- ❑ Only install in suitable environments, the following in particular should be avoided:
  - Excessive ambient temperature.
  - Hazardous areas.
- ❑ A high voltage tester must not be used with this wall sounder.
- ❑ Ensure that the wall sounder is securely fixed to the wall or other suitable surface.
- ❑ Ensure that the wall sounder cable connections are securely fastened.
- ❑ For proper wiring supervision ensure that the cables are wired as shown in the diagram overleaf.
- ❑ Ensure the address is set before connection\*.

\* Address can be set once the unit has been wired - providing the loop is **not** powered.

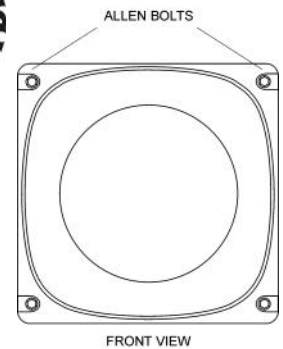


Fig 1

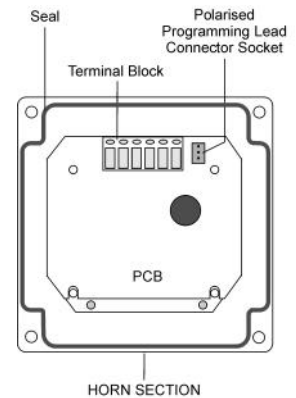


Fig 2

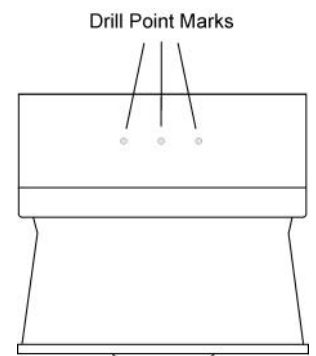


Fig 3

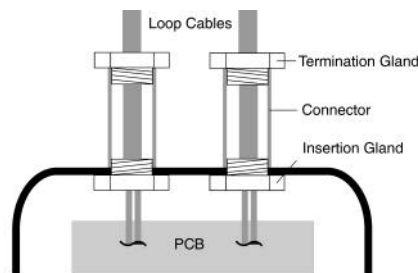


Fig 4

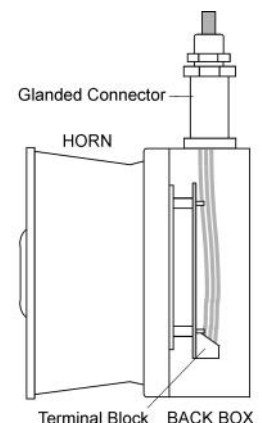


Fig 5

## Wiring

The wiring for the CHQ-WS/W wall sounder should be made as shown:

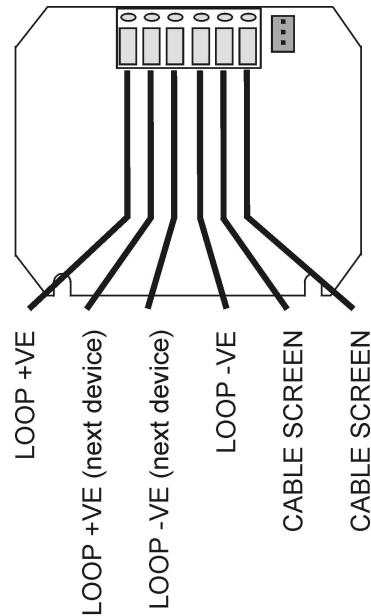


Fig 6

## Specifications

Ordering Code	CHQ-WS/W
Loop Voltage Range (Vdc)	17 - 31
Quiescent Current (typ)	220 $\mu$ A
Sounding Current (typ)	7.3mA
Sound Output ( $\pm$ 2dB(A) at 1 metre)	100*
Tone Produced	Alternating tone 0.25 sec @ 990Hz, 0.25 sec @ 650Hz (Similar to Tone 1 from the Hochiki CHQ-BS Base Sounder)
Operating Temperature Range	-10°C to +50°C
Storage Temperature Range	-30°C to +70°C
Operating Humidity	95% RH @ 40°C
Colour and Case Material	Red ABS
IP Rating	IP66
Dimensions (mm)	H110 x W110 x D105
Base Fixing Centres (mm)	97 and 75
Weight (g)	328

\* Providing loop voltage in excess of 24Vdc



**Hochiki Europe (UK) Ltd**  
Grosvenor Road, Gillingham Business Park,  
Gillingham, Kent, ME8 0SA, England  
Telephone: +44(0)1634 260133 Facsimile: +44(0)1634 260132  
Email: [sales@hochikieurope.com](mailto:sales@hochikieurope.com)  
Web: [www.hochikieurope.com](http://www.hochikieurope.com)

Hochiki Europe (UK) Ltd. reserves the right to alter the specification of its products from time to time without notice. Although every effort has been made to ensure the accuracy of the information contained within this document it is not warranted or represented by Hochiki Europe (UK) Ltd. to be a complete and up-to-date description. Please check our web site for the latest version of this document.