

HOCHIKI CHQ-B & OEM DUAL SOUNDER CONTROL INSTALLATION INSTRUCTIONS



Function

The CHQ-B provides two independent sounder outputs with open and short circuit monitoring, if required the monitoring can be disabled via the 2 way DIL switch. The sounder outputs are independently fused and can be separately driven continuously or pulsed under full synchronisation of the fire alarm panel with other sounders on the same loop. The module requires an auxiliary 24v power supply to operate and this is also monitored and an input is provided with short and open circuit monitoring, this can also be disabled via bit 8 on the 8 way DIL switch.

Specification

Order code	CHQ-B* and CHQ-B/OEM*	
Transmission method	Digital communications using ESP	
Loop:-Operating voltage	17 - 41 VDC	
Quiescent current	290µA	
Current consumption whilst polling	22mA ± 20 %	
External Supply:-Operating voltage	20-28.8 VDC (24VDC nominal)	
Current consumption: Sounder on	8 mA (per line)	
Sounder fault	6 mA (per line)	
Sounder output current	1A/line max.	
Sounder line capacitance	0.3µF/line max.	
Sounder E.O.L resistor	1kΩ, ±5%, 2W	
Input E.O.L resistor	10kΩ, ±5%, 0.25W	
Input threshold levels	ON=470Ω, short cct< 50Ω, open cct>100kΩ,	
Weights & Dimensions	CHQ-B CHQ-B/OEM	550g, L=235 x W=160 x H=92mm 120g, L=185 x W=97 x H=30mm
Colour and enclosure material	CHQ-B CHQ-B/OEM	Grey, ABS (IP67 rated), c/w OEM module White, ABS

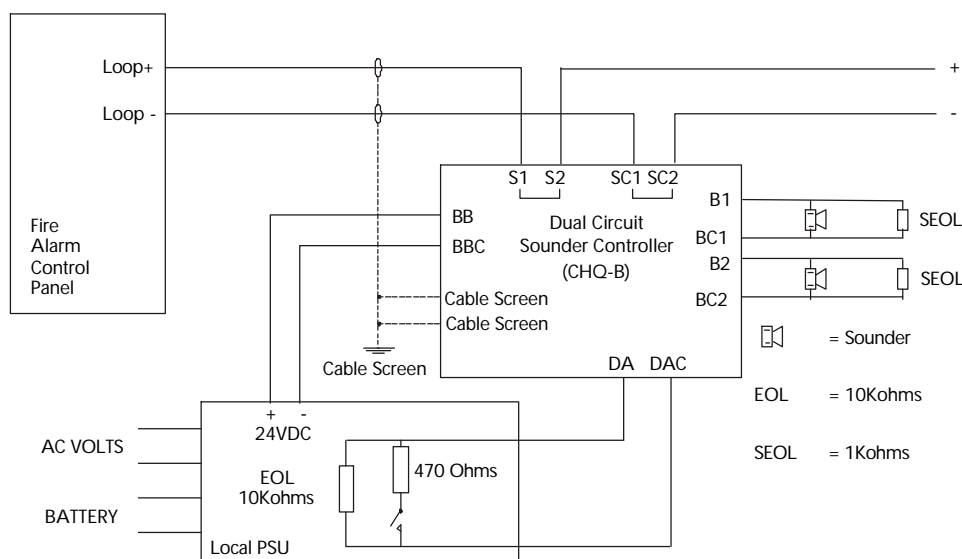
* Fire alarm control panel compatibility required for these products.

Note:- All EOL and operational resistors are supplied with the unit

Connection Details

The module has been designed for easy installation and contains two connector blocks for termination of the field wiring, refer to Fig. 1 below for correct connection details.

Fig. 1.

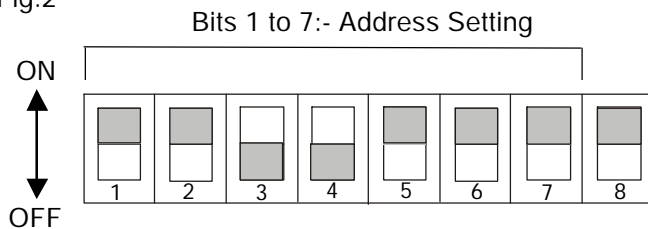


Note - Hochiki Europe (UK) Ltd. reserves the right to alter the specification of its products from time to time without notice. Although every effort has been made to ensure the accuracy of the information contained within this document it is not warranted or represented by Hochiki Europe (UK) Ltd. to be a complete and up-to-date

Setting The Sounder & Input Monitoring

The Sounder line monitoring can be disabled using the 2 bit DIL switch, refer to Fig. 2, and the input monitoring can be disabled using bit 8 of the 8 way DIL switch, refer to Fig. 3.

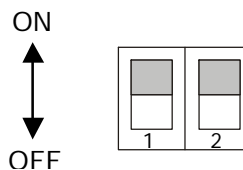
Fig.2



Bit 8 Input
Monitoring:-

ON= Disabled

Fig.3



Sounder Output Monitoring:-

Bit 1 = O/P 1

Bit 2 = O/P 2

ON= Disabled, OFF= Enabled

Setting The Loop Address

- ❑ The address is set using the first 7 switches of the 8 bit DIL switch. The switch should be in the up position for ON and down for OFF, refer to Fig.2.
- ❑ Set the switches as defined below for the required address.

Installation

- ❑ Drill the cable entry holes in the enclosure as required before fitting the CHQ-B module. Ensure glands conform to IP67, if such ingress protection is required.
- ❑ Mount enclosure as required, using the holes in the 4 corners which are located through the cover fixing point.
- ❑ Mount the CHQ-B module inside the enclosure with the screws supplied.
- ❑ Terminate and connect field wiring as per wiring diagram. Ensure the sounder lines are terminated using the 1KΩ resistors (unless monitoring is disabled), these must be connected to the last sounder on the output .
- ❑ Ensure the input is terminated with the 10KΩ resistor (unless monitoring is disabled).
- ❑ Both sounder outputs are fused at 1A, if a fuse is blown it must be replaced with one of the same rating.
- ❑ Fix the label to the enclosure and note the units address.
- ❑ To comply with EMC regulations, the CHQ-B/OEM must be fitted in a protective enclosure.
- ❑ Suitable anti-static precautions must be taken when handling this product.

Switch	1	2	3	4	5	7	Addr	Switch	1	2	3	4	5	7	Addr	Switch	1	2	3	4	5	7	Addr
1	●	○	○	○	○	○	1	●	○	○	○	○	○	○	43	●	○	○	○	○	○	○	85
2	○	○	○	○	○	○	2	○	○	○	○	○	○	○	44	○	○	○	○	○	○	○	86
3	○	○	○	○	○	○	3	○	○	○	○	○	○	○	45	○	○	○	○	○	○	○	87
4	○	○	○	○	○	○	4	○	○	○	○	○	○	○	46	○	○	○	○	○	○	○	88
5	○	○	○	○	○	○	5	○	○	○	○	○	○	○	47	○	○	○	○	○	○	○	89
6	○	○	○	○	○	○	6	○	○	○	○	○	○	○	48	○	○	○	○	○	○	○	90
7	○	○	○	○	○	○	7	○	○	○	○	○	○	○	49	○	○	○	○	○	○	○	91
8	○	○	○	○	○	○	8	○	○	○	○	○	○	○	50	○	○	○	○	○	○	○	92
9	○	○	○	○	○	○	9	○	○	○	○	○	○	○	51	○	○	○	○	○	○	○	93
10	○	○	○	○	○	○	10	○	○	○	○	○	○	○	52	○	○	○	○	○	○	○	94
11	○	○	○	○	○	○	11	○	○	○	○	○	○	○	53	○	○	○	○	○	○	○	95
12	○	○	○	○	○	○	12	○	○	○	○	○	○	○	54	○	○	○	○	○	○	○	96
13	○	○	○	○	○	○	13	○	○	○	○	○	○	○	55	○	○	○	○	○	○	○	97
14	○	○	○	○	○	○	14	○	○	○	○	○	○	○	56	○	○	○	○	○	○	○	98
15	○	○	○	○	○	○	15	○	○	○	○	○	○	○	57	○	○	○	○	○	○	○	99
16	○	○	○	○	○	○	16	○	○	○	○	○	○	○	58	○	○	○	○	○	○	○	100
17	○	○	○	○	○	○	17	○	○	○	○	○	○	○	59	○	○	○	○	○	○	○	101
18	○	○	○	○	○	○	18	○	○	○	○	○	○	○	60	○	○	○	○	○	○	○	102
19	○	○	○	○	○	○	19	○	○	○	○	○	○	○	61	○	○	○	○	○	○	○	103
20	○	○	○	○	○	○	20	○	○	○	○	○	○	○	62	○	○	○	○	○	○	○	104
21	○	○	○	○	○	○	21	○	○	○	○	○	○	○	63	○	○	○	○	○	○	○	105
22	○	○	○	○	○	○	22	○	○	○	○	○	○	○	64	○	○	○	○	○	○	○	106
23	○	○	○	○	○	○	23	○	○	○	○	○	○	○	65	○	○	○	○	○	○	○	107
24	○	○	○	○	○	○	24	○	○	○	○	○	○	○	66	○	○	○	○	○	○	○	108
25	○	○	○	○	○	○	25	○	○	○	○	○	○	○	67	○	○	○	○	○	○	○	109
26	○	○	○	○	○	○	26	○	○	○	○	○	○	○	68	○	○	○	○	○	○	○	110
27	○	○	○	○	○	○	27	○	○	○	○	○	○	○	69	○	○	○	○	○	○	○	111
28	○	○	○	○	○	○	28	○	○	○	○	○	○	○	70	○	○	○	○	○	○	○	112
29	○	○	○	○	○	○	29	○	○	○	○	○	○	○	71	○	○	○	○	○	○	○	113
30	○	○	○	○	○	○	30	○	○	○	○	○	○	○	72	○	○	○	○	○	○	○	114
31	○	○	○	○	○	○	31	○	○	○	○	○	○	○	73	○	○	○	○	○	○	○	115
32	○	○	○	○	○	○	32	○	○	○	○	○	○	○	74	○	○	○	○	○	○	○	116
33	○	○	○	○	○	○	33	○	○	○	○	○	○	○	75	○	○	○	○	○	○	○	117
34	○	○	○	○	○	○	34	○	○	○	○	○	○	○	76	○	○	○	○	○	○	○	118
35	○	○	○	○	○	○	35	○	○	○	○	○	○	○	77	○	○	○	○	○	○	○	119
36	○	○	○	○	○	○	36	○	○	○	○	○	○	○	78	○	○	○	○	○	○	○	120
37	○	○	○	○	○	○	37	○	○	○	○	○	○	○	79	○	○	○	○	○	○	○	121
38	○	○	○	○	○	○	38	○	○	○	○	○	○	○	80	○	○	○	○	○	○	○	122
39	○	○	○	○	○	○	39	○	○	○	○	○	○	○	81	○	○	○	○	○	○	○	123
40	○	○	○	○	○	○	40	○	○	○	○	○	○	○	82	○	○	○	○	○	○	○	124
41	○	○	○	○	○	○	41	○	○	○	○	○	○	○	83	○	○	○	○	○	○	○	125
42	○	○	○	○	○	○	42	○	○	○	○	○	○	○	84	○	○	○	○	○	○	○	126
																							127

● = ON ○ = OFF

Status LED

- ❑ A green LED flashes each time the unit is polled by the fire alarm control panel and a red LED is continuously illuminated when either output is active.



Hochiki Europe (UK) Ltd
Grosvenor Road, Gillingham Business Park,
Gillingham, Kent, ME8 0SA, England
Telephone: +44(0)1634 260133 Facsimile: +44(0)1634 260132
Email: sales@hochikieurope.com
Web: www.hochikieurope.com

Hochiki Europe (UK) Ltd. reserves the right to alter the specification of its products from time to time without notice. Although every effort has been made to ensure the accuracy of the information contained within this document it is not warranted or represented by Hochiki Europe (UK) Ltd. to be a complete and up-to-date description. Please check our web site for the latest version of this document.