

CHQ MODULES INSTALLATION INSTRUCTIONS



Products Covered: CHQ SZM (Single Zone Monitor), CHQ-DIM (Dual Input Monitor), CHQ-DZM (Dual Zone Module)

Introduction

The CHQ "Smart-Fix" Range of Modules consists of the following models:

CHQ-DIM(SCI) CHQ-DIM/M(SCI) Dual Input Module CHQ-DIM/DIN(SCI)	CHQ-DZM(SCI) CHQ-DZM/DIN(SCI)	Dual Zone Monitor
CHQ-DRC(SCI) CHQ-DRC/M(SCI) Dual Relay Controller CHQ-DRC/DIN(SCI)	CHQ-MRC(SCI) CHQ-MRC/DIN(SCI)	Mains Relay Controller
CHQ-DSC(SCI) CHQ-DSC/M(SCI) Dual Sounder Controller CHQ-DSC/DIN(SCI)	CHQ-SZM(SCI) CHQ-SZM/M(SCI) CHQ-SZM/DIN(SCI)	Single Zone Monitor

Note: (SCI) indicates Module incorporates a short-circuit isolator. DIN indicates Module housing is designed to fit standard "Top Hat" DIN Rail.

Components

Standard "Smart-Fix" Modules (including (SCI) versions) are supplied as two individual components (see Fig 1 & 2). DIN versions are supplied as one unit (see Fig 3).

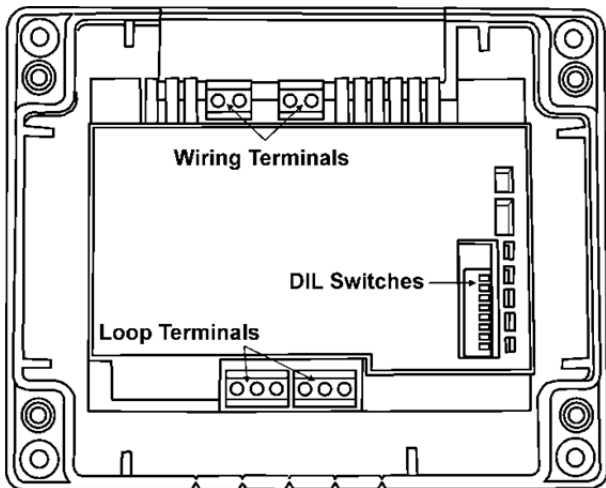


Fig 1

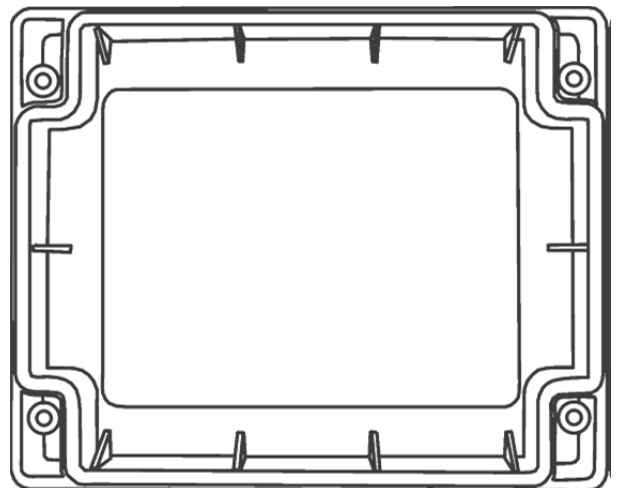


Fig 2

"Smart-Fix" CHQ Module (Back Plate inc PCB Component)
(Note: configuration of Wiring Terminal blocks differs between models)

CHQ-LID Transparent Module Lid
(Supplied with four screws and acrylic retaining washers)

Setting the Loop Address

- The analogue address of the Module is set using the first 7 switches of the 8-bit DIL switch, which in the case of the Standard CHQ is located through the cut-out section on the top of the PCB cover. On the DIN version, this switch is located on the edge of the PCB behind the clear door (see Fig 3).

- The switches are numbered 1 to 8 (left to right):

CHQ MODULE	SWITCH UP	ON	
	SWITCH DOWN	OFF	
DIN MODULE	SWITCH UP	OFF	
	SWITCH DOWN	ON	

- The switches should be set using a small-tipped screwdriver or similar.
- Refer to the Address Chart (Fig 9) on page 4 for a quick reference on addresses.

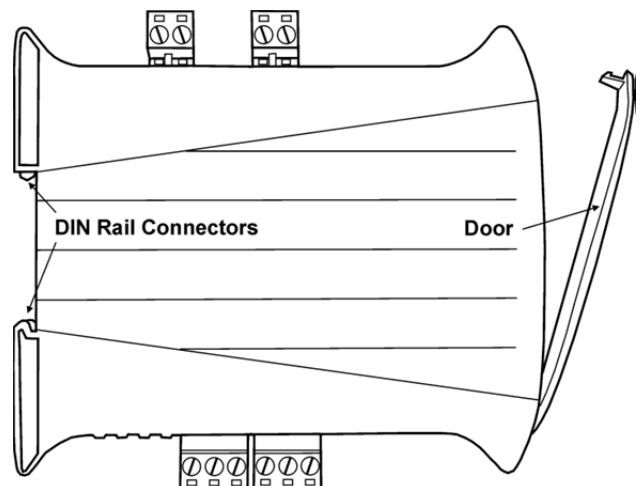


Fig 3

(continued on page 4)

DIN Rail Mountable CHQ Module

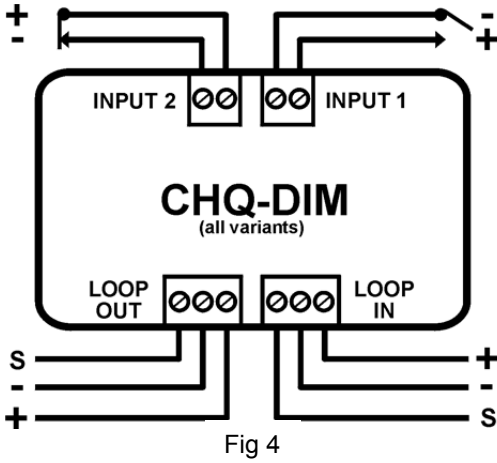


Fig 4

CHQ-DIM - DUAL INPUT MONITOR

This device is a loop-powered module designed to interface to a variety of inputs, such as, door contacts, sprinkler flow/door switches and plant equipment fault contacts, this module is particularly suited to applications where a fast response is required to the input change.

Setting Contact Monitoring

Both volt free input contacts can be configured to be either N/O or N/C, by setting the 2-bit DIL switch

CHQ MODULE	SWITCH 1 UP	I/P 1 Normally Closed (N/C)
	SWITCH 1 DOWN	I/P 1 Normally Open (N/O)
	SWITCH 2 UP	I/P 2 Normally Closed (N/C)
	SWITCH 2 DOWN	I/P 2 Normally Open (N/O)
DIN MODULE	SWITCH 1 UP	I/P 1 Normally Open (N/O)
	SWITCH 1 DOWN	I/P 1 Normally Closed (N/C)
	SWITCH 2 UP	I/P 2 Normally Open (N/O)
	SWITCH 2 DOWN	I/P 2 Normally Closed (N/C)

LOOP CONNECTIONS: S = Cable Screen (if required), - = Loop Negative (-ve), + = Loop Positive (+ve)

Order codes		CHQ-DIM(SCI) / CHQ-DIM/M(SCI) / CHQ-DIM/DIN(SCI)* ¹	
Transmission method		Digital communication using ESP	
Operating voltage		17 - 41 VDC	
Quiescent current	280µA	Current in short-circuit	8mA
Current consumption whilst polling	22mA ± 20 %	Maximum short-circuit current (Loop)	1A
Current consumption with inputs active	4.3mA (Both inputs active)* ²	Input line resistance	ON threshold <50Ω, OFF threshold >100KΩ
Weight (g) & Dimensions (mm)	CHQ-DIM(SCI)	327	L157 x W127 x D35 (CHQ Module plus Lid) D=79mm (CHQ Module plus Lid plus CHQ-BACKBOX) (add 235g to module weight when using CHQ-BACKBOX) L108 x W119 x D24 (CHQ DIN Module)
	CHQ-DIM/M(SCI)		
	CHQ-DIM/DIN(SCI)	113	
Colour and enclosure material		CHQ Module & CHQ-BACKBOX White ABS, DIN Module Green	

*¹ Fire alarm control panel compatibility required for these products.

*² Note: - Add 85µA per input for normally closed contact monitoring

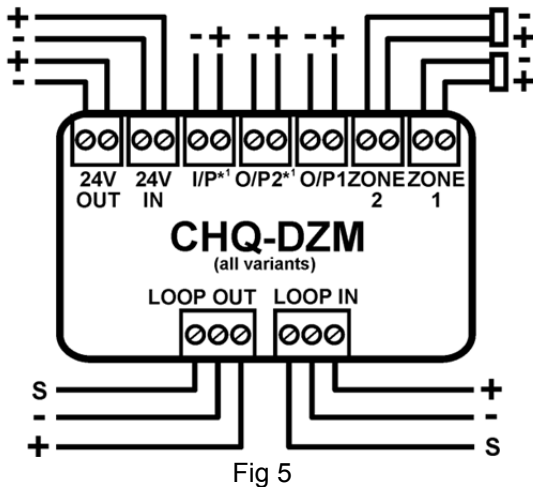


Fig 5

CHQ-DZM - DUAL ZONE MONITOR

This device is an externally powered module designed to allow up to 60 conventional detectors (30 per zone) to be interfaced to Hochiki's ESP analogue addressable system. The unit features three End Of Line (EOL) monitoring options (see page 3 for further details).

Setting EOL Monitoring Option

Select the required EOL monitoring option using the 2-bit DIL switch.

CHQ MODULE	SWITCH 1 DOWN	ZENER
	SWITCH 2 DOWN	
	SWITCH 1 UP	ACTIVE/RESISTIVE
	SWITCH 2 DOWN	
DIN MODULE	SWITCH 1 UP	ZENER
	SWITCH 2 UP	
	SWITCH 1 DOWN	ACTIVE/RESISTIVE
	SWITCH 2 UP	

LOOP CONNECTIONS: S = Cable Screen (if required), - = Loop Negative (-ve), + = Loop Positive (+ve)

Order codes		CHQ-DZM(SCI) / CHQ-DZM/DIN(SCI)* ¹	
Transmission method		Digital communication using ESP	
Operating voltage		17 - 41 VDC	
Low Power Mode (typ)	110µA	Resistance on Zone (max)	50Ω
Quiescent current (typ)	330µA	Capacitance on Zone (max)	0.3µF
Current consumption (external)		(Quiescent) 2mA, (Alarm) 70mA (both zones in fire)	
Current in short-circuit	8mA	Maximum short-circuit current	1A
Output rating		24Vdc 8.5mA	
Weights & Dimensions	CHQ-DZM(SCI)	350g	L=157mm x W=127mm x D=35mm (CHQ Module plus Lid) D=79mm (CHQ Module plus Lid plus CHQ-BACKBOX) (add 235g to module weight when using CHQ-BACKBOX)
	CHQ-DZM/DIN(SCI)	130g	
Colour and enclosure material		CHQ Module & CHQ-BACKBOX White ABS, DIN Module Green ABS	

*¹ Fire alarm control panel compatibility required See AP0127 for short-circuit isolator specifications.

Standard EOL Options for CHQ-DZM		
Zener End of line device (Zone)	TE-RH-E Hochiki Part No 2-1-1-016	(Iz=1-mA, T=30ms, Vz=22.7 to 24.3V) L terminal connects to +Zone C Terminal connects to -Zone
Active End Of Line Module (Zone)	Kentec LCMU (6K8) Kentec Part Number K1406K Hochiki Part No 1270070-00 (NOT SUPPLIED)	Active EOL - Line Continuity Monitoring Unit for Schottky bases (See Fig 6) Pink lead connects to +Zone Black lead connects to -Zone
Active End Of Line Capacitor (Zone)	47µF Capacitor Hochiki Part No (2-2-7-031)	47µF ±20% 35V Fitted directly into Zone terminals (see Fig 6)
Resistive EOL (Zone)	6K8 resistor (2-2-5-1015)	6K8 ± 5% 0.4W
Monitored input EOL	10KΩ resistor (2-2-5-806)	10KΩ ± 5% 0.4W

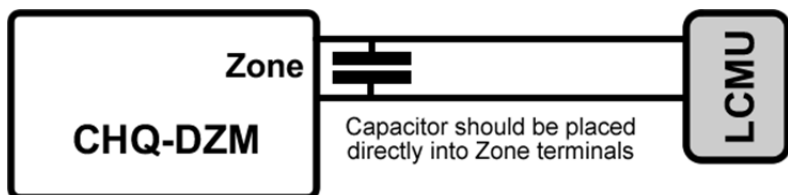


Fig 6

CHQ-SZM
(all variants)

CHQ-SZM SINGLE ZONE MONITOR is a loop-powered module that provides a single fully monitored input for the connection of up to six Hochiki conventional smoke or heat detectors, OR one Hochiki beam detector, or any number of conventional call points, the unit also contains an output for remote fire indication.

Note: The end of line device (EOL) is supplied with the unit – **do NOT discard in error!** The EOL device MUST be fitted at the last detector on the zone, note the polarity.

Part number
TE-RH-E

Fig 8

Fig 7

Order codes	CHQ-SZM(SCI) / CHQ-SZM/M(SCI) / CHQ-SZM/DIN(SCI) *1		
Transmission method	Digital communication using ESP		
Loop:-Operating voltage	17 - 41 VDC		
Quiescent current	260µA		
Current consumption whilst polling	22 mA ± 20 %		
Current in short-circuit	8mA		
Maximum short-circuit current (Loop)	1A		
E.O.L device	TE-RH-E (polarity conscious)		
Zone voltage	15.3V - 17.1V		
Zone resistance	50Ω (Max)		
Zone capacitance	0.3µF (Max)		
Detectors per zone	Number of conventional detectors per zone		
	DCA, DFB, DFE – No limit		
	SLG, SLK, SLR, SIF, SIH, SIJ, DCC, DCD, DFJ – 6 max		
	SPB-ET or SRA-ET – Only one and no other detectors		
	HF-24 – Only one and no other detectors		
Weight (g) & Dimensions (mm)	Conventional Call Points – No limit		
	CHQ-SZM(SCI) CHQ-SZM/M(SCI)	328	L157 x W127 x D35 (CHQ Module plus Lid) D79 (CHQ Module plus Lid plus CHQ-BACKBOX) (add 235g to module weight when using CHQ-BACKBOX)
	CHQ-SZM/DIN(SCI)	114	L108 x W119 x D24 (CHQ DIN Module)
Colour and enclosure material	CHQ Module & CHQ-BACKBOX White ABS, DIN Module Green ABS		

* Fire alarm control panel compatibility required for these products. See AP0127 for short-circuit isolator specifications.

This module does not support any line continuity options; therefore, if Manual Call Points are to be interfaced then these should be connected first.

Installation – "Smart-Fix" Version

Set analogue address before installation (see page 1). The fixing surface should be dry and stable.

- ❑ Hold the back plate up against the fixing surface and mark the position of the four corner fixing holes.
- ❑ Determine which cut-out sections along the top and bottom edges of the module require removing to accommodate the cables being used.
- ❑ Remove cut-outs by scoring with a sharp knife before breaking off with pliers or snips.
- ❑ Mount the back plate using appropriate fixings (not supplied) for the fixing surface.
- ❑ Terminate and connect field wiring as per the wiring diagrams on pages 2 & 3 (and the terminal block indications on the product label).

The transparent lid (CHQ-LID) is supplied with four screws and eight retaining washers.

- ❑ Push the screws through one of the retaining washers and then through the holes in the lid from front to back, pushing another retaining washer onto the end inside the lid.
- ❑ Screw the lid onto the back plate; do not over tighten the screws as this could damage the unit.

Note, a white plastic version of the lid is available (sold separately – CHQ-LID(WHT)).

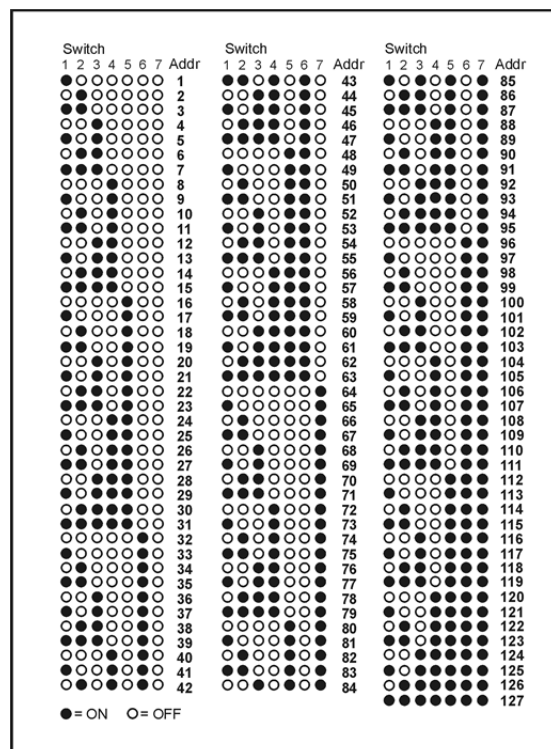


Fig 9

Installation with Back Box

For CHQ-DIM or CHQ-SZM installations requiring glanded cables, a module back box (CHQ-BACKBOX) is available (sold separately). This is mounted on the fixing surface; the CHQ Module is then fitted to the top of the back box and the CHQ-LID is added creating a sealed enclosure. For further details refer to the CHQ-BACKBOX Instructions (2-3-0-800). For CHQ-DZM installations utilising heavy-duty cabling (for example, 1.5mm² solid conductor) the use of the SMB-1 Box with the SMB-ADAPTOR plate and CHQ-ADAPTOR is recommended. For further details refer to the SMB-ADAPTOR Instructions (2-3-0-1502). Ensure any glands used (not supplied) conform to IP67, if such ingress protection is required.

Installation – DIN Version


Set analogue address before installation (see page 1) and write loop address in space provided on door label.

- ❑ DIN modules should be mounted in a suitable enclosure in conjunction with an NS 35 mounting rail with the loop connections at the bottom of the unit. Hochiki recommends the SMB-2 and SMB-3 Boxes designed specifically for this purpose.
- ❑ Terminate and connect field wiring as per the wiring diagrams on pages 2 & 3 (and the terminal block indications on the product label).
- ❑ Suitable anti-static precautions must be taken when handling these products.

Status LEDs

Refer to the table below for Status LED indications:

CHQ-DIM (all variants)	Dual Input Module	Green LED flashes each time the unit is polled by the fire alarm control panel and is continuously illuminated when either input is active (CHQ-DIM only). Amber LED is continually illuminated when unit detects short-circuit fault.
CHQ-SZM (all variants)	Single Zone Monitor	
CHQ-DZM (all variants)	Dual Zone Monitor	

 Protocol specified in TI/006	CHQ-DIM(SCI)	0832-CPD-1098	09	EN54-17 Short Circuit Isolators EN54-18 Input/Output Modules
	CHQ-SZM(SCI)	0832-CPD-1094	09	
	CHQ-DIM/DIN(SCI)	0832-CPD-1099	10	
	CHQ-SZM/DIN(SCI)	0832-CPD-1095	10	
	CHQ-DZM(SCI)	0832-CPD-1657	11	
	CHQ-DZM/DIN(SCI)	0832-CPD-1658	11	



Hochiki Europe (UK) Ltd
 Grosvenor Road, Gillingham Business Park,
 Gillingham, Kent, ME8 0SA, England
 Telephone: +44(0)1634 260133
 Facsimile: +44(0)1634 260132
 Email: sales@hochikieurope.com
 Web: www.hochikieurope.com

Hochiki Europe (UK) Ltd. reserves the right to alter the specification of its products from time to time without notice. Although every effort has been made to ensure the accuracy of the information contained within this document it is not warranted or represented by Hochiki Europe (UK) Ltd. to be a complete and up-to-date description. Please check our web site for the latest version of this document.