

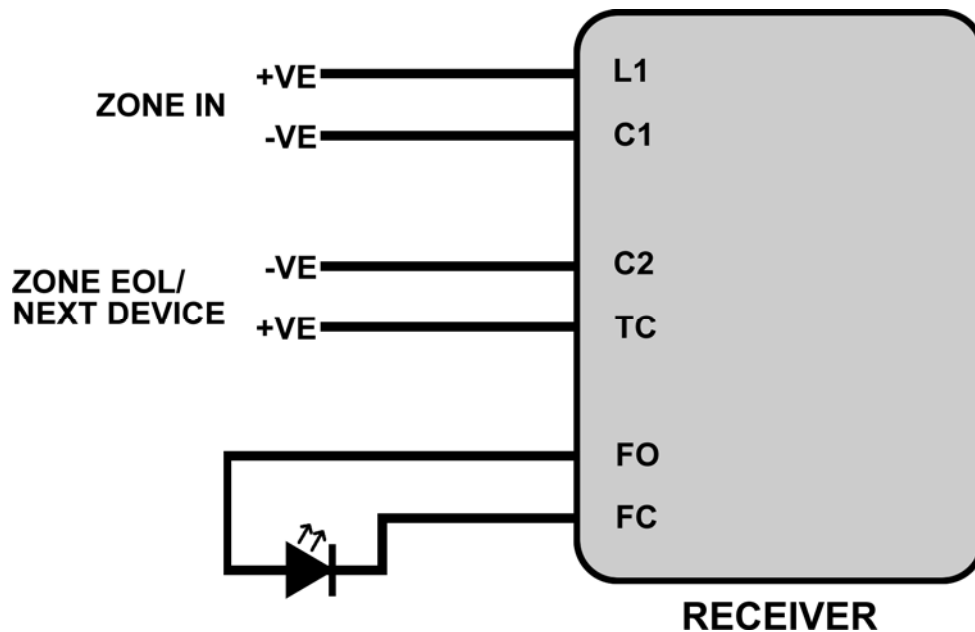
# Wiring the SPC-ET Beam Detector Receiver without the Installation Kit

## APPLICATION NOTE

This Application Note applies to the SPC-ET conventional photoelectric beam smoke detector.

### Description

When installing the SPC-ET Receiver unit without using the SPC-ET2WI Installation Kit, wiring connections are to be made in accordance with the wiring diagram below:



Full wiring options are detailed in the SPC-ET Installation Manual (2-3-0-797) and the SPC-ET Mounting Guide (2-3-0-796).



**Hochiki Europe (UK) Ltd**  
Grosvenor Road, Gillingham Business Park,  
Gillingham, Kent, ME8 0SA, England  
Telephone: +44(0)1634 260133 Facsimile: +44(0)1634 260132  
Email: sales@hochikieurope.com Web: www.hochikieurope.com

Hochiki Europe (UK) Ltd. reserves the right to alter the specification of its products from time to time without notice. Although every effort has been made to ensure the accuracy of the information contained within this document it is not warranted or represented by Hochiki Europe (UK) Ltd. to be a complete and up-to-date description. Please check our web site for the latest version of this document.