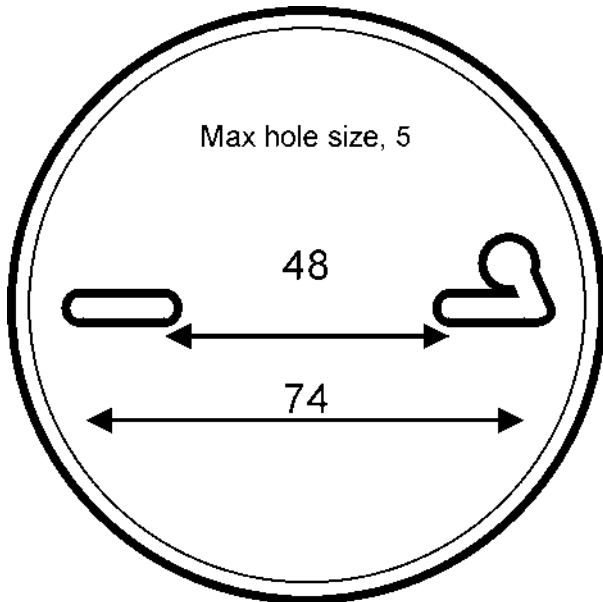


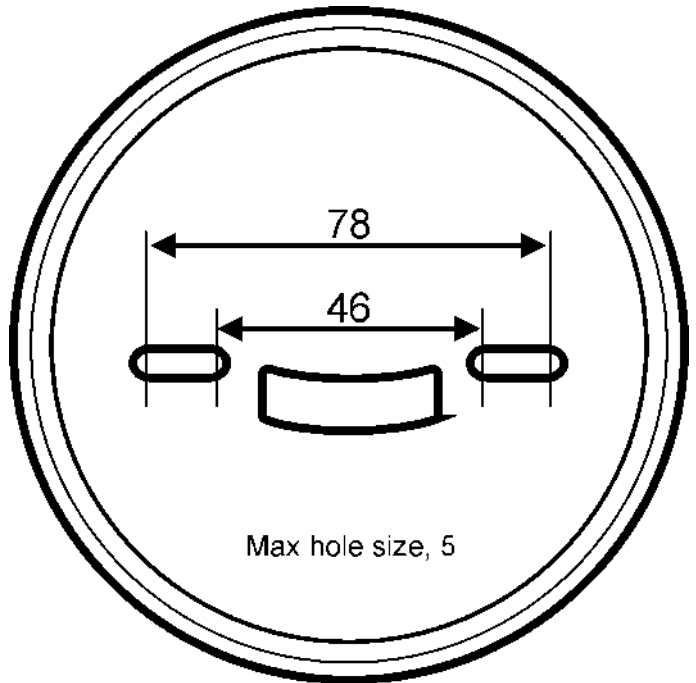
APPLICATION NOTE

Hochiki Devices – Fixing Centres

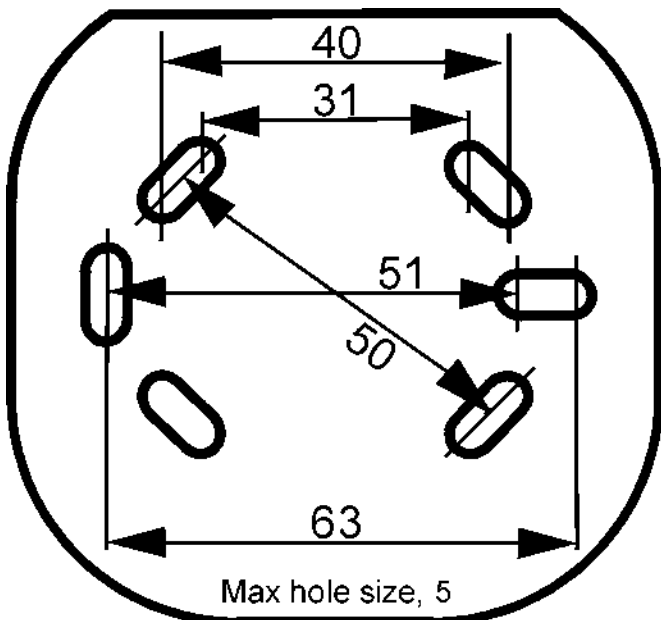
The following diagrams show the fixing centres for the current Hochiki range of mounting bases, modules, sounders and ancillary equipment:



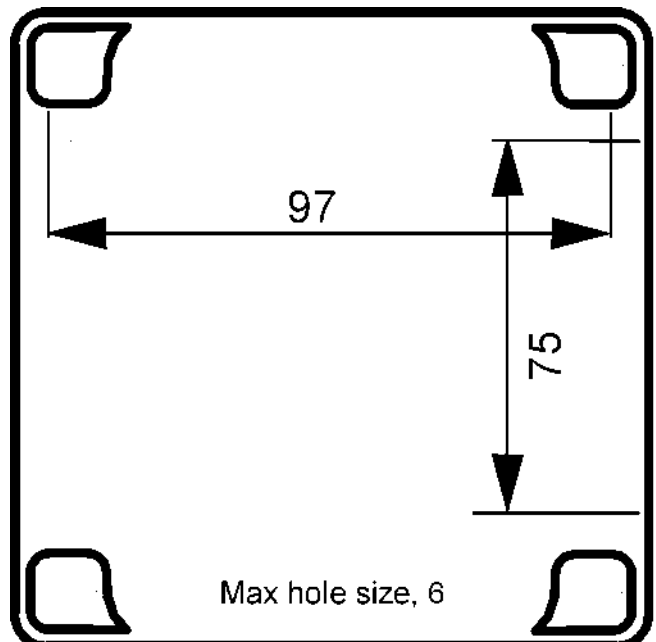
YBN/R3, YBO-R/6, YBO-R/6R, YBO-R/6RN,
YBO-R/6RS, YBO-R/6SK, YBO-R/SCI,
YBN-R/4M, YBO-R/5M, YCA-RL/3H2 ,
YBF-RL/4H5, YCA-RL/5H2 Bases



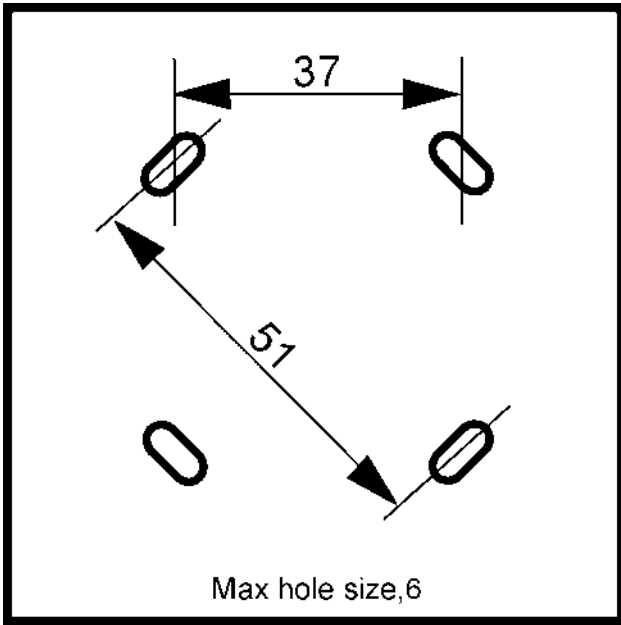
CHQ-BS Base Sounder



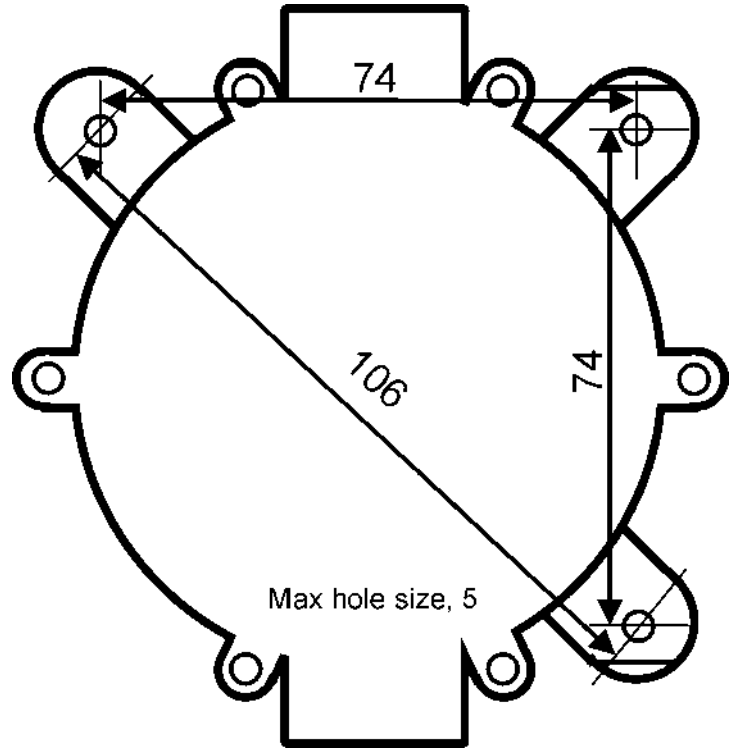
CHQ-WS Wall Sounder



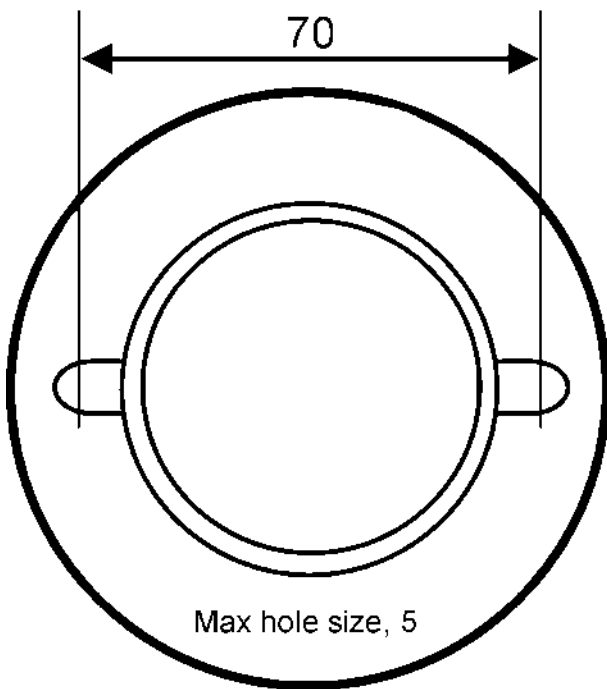
CHQ-WSW Weatherproof Wall Sounder



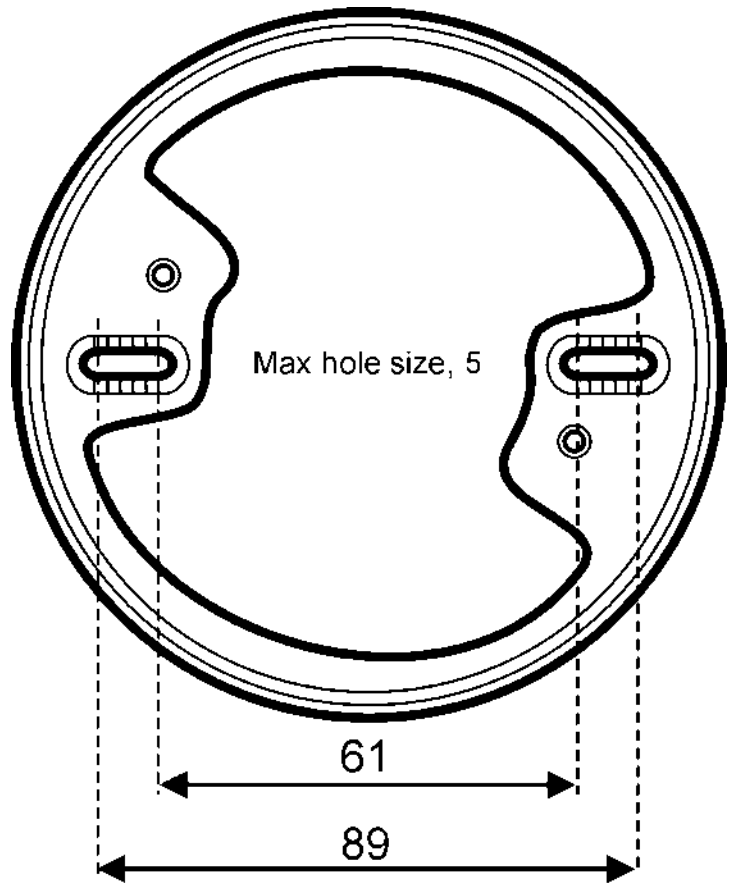
MCP-E, MCP-DPS, CCP-E, CCP-E-IS
Manual Call Points



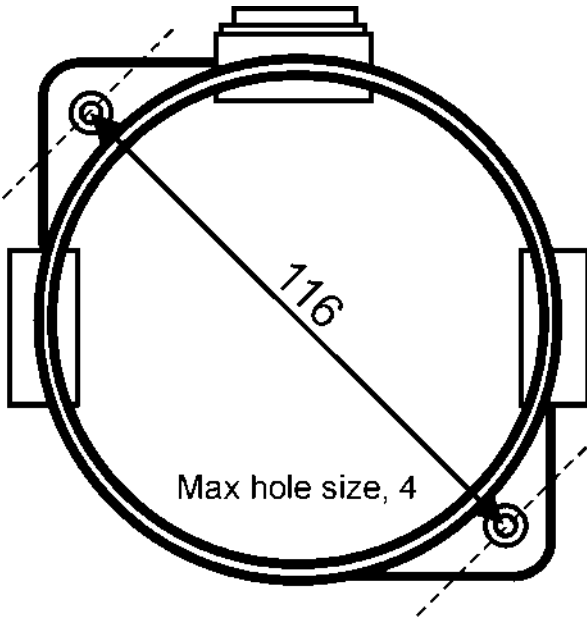
MCP-W, CCP-W Manual Call Points



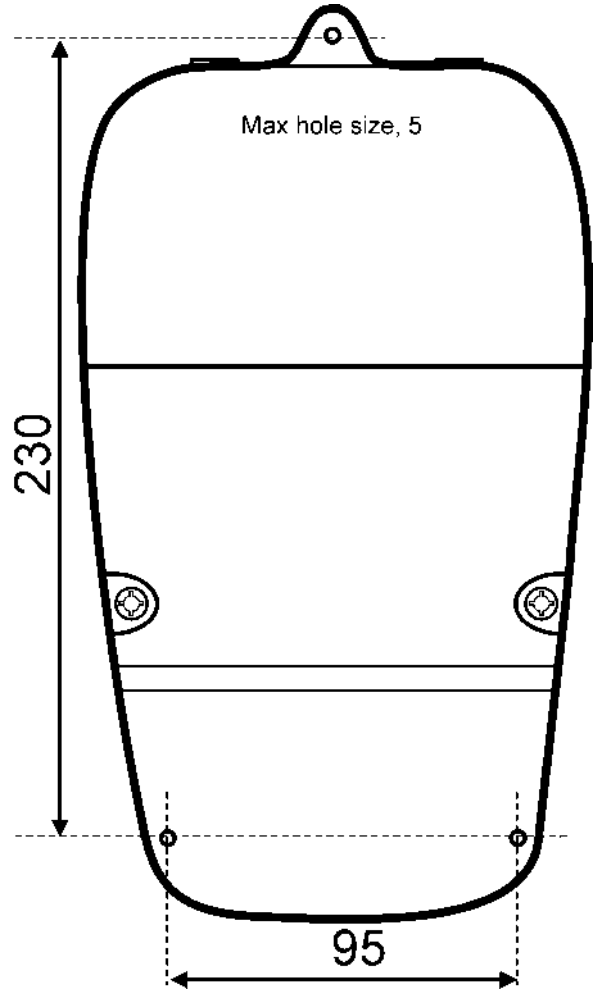
DFG-60E Heat Detector



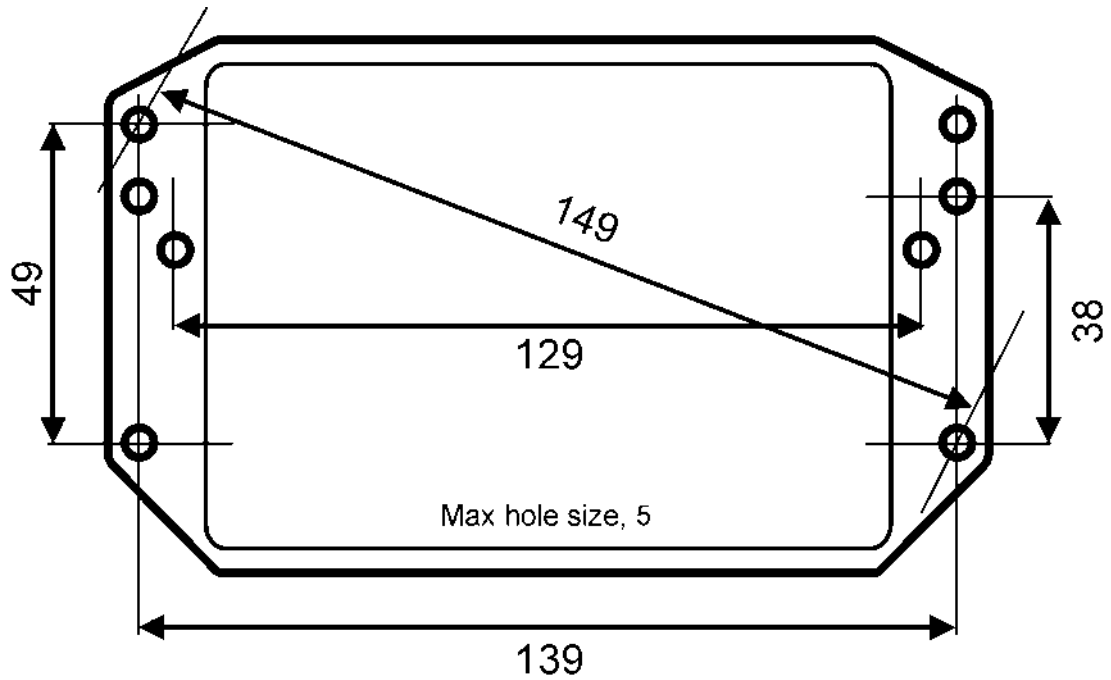
YBD-RA Surface Adaptor



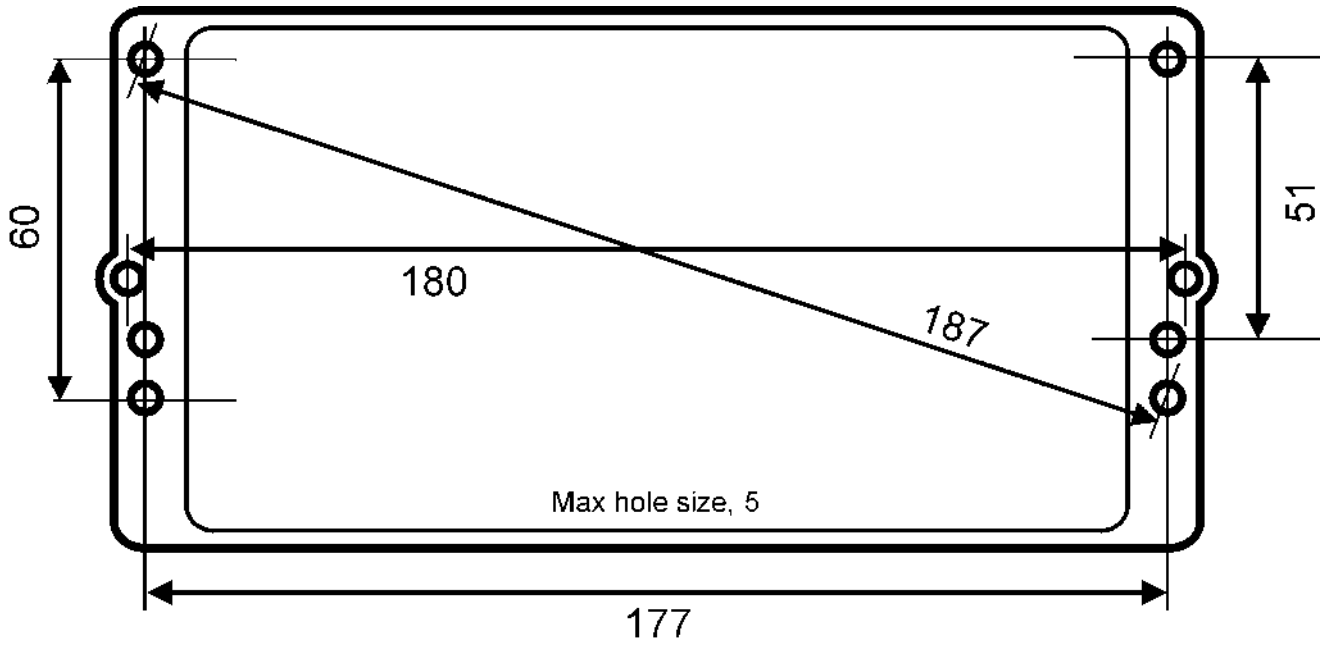
MBB-1, SBB-1 Back Box



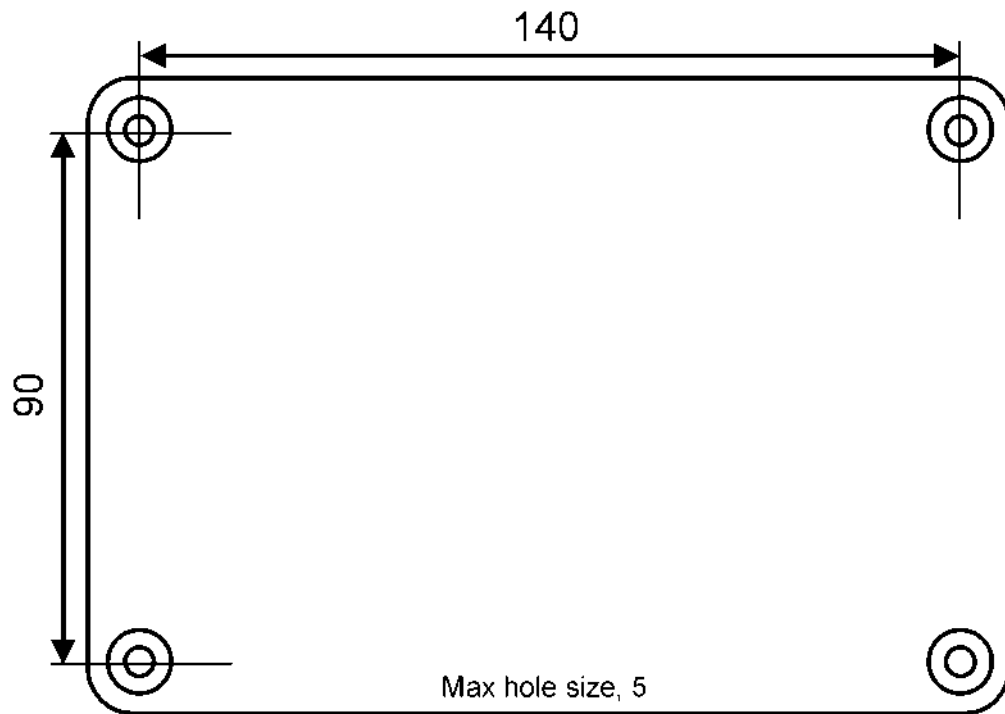
SDP-2 Duct Probe



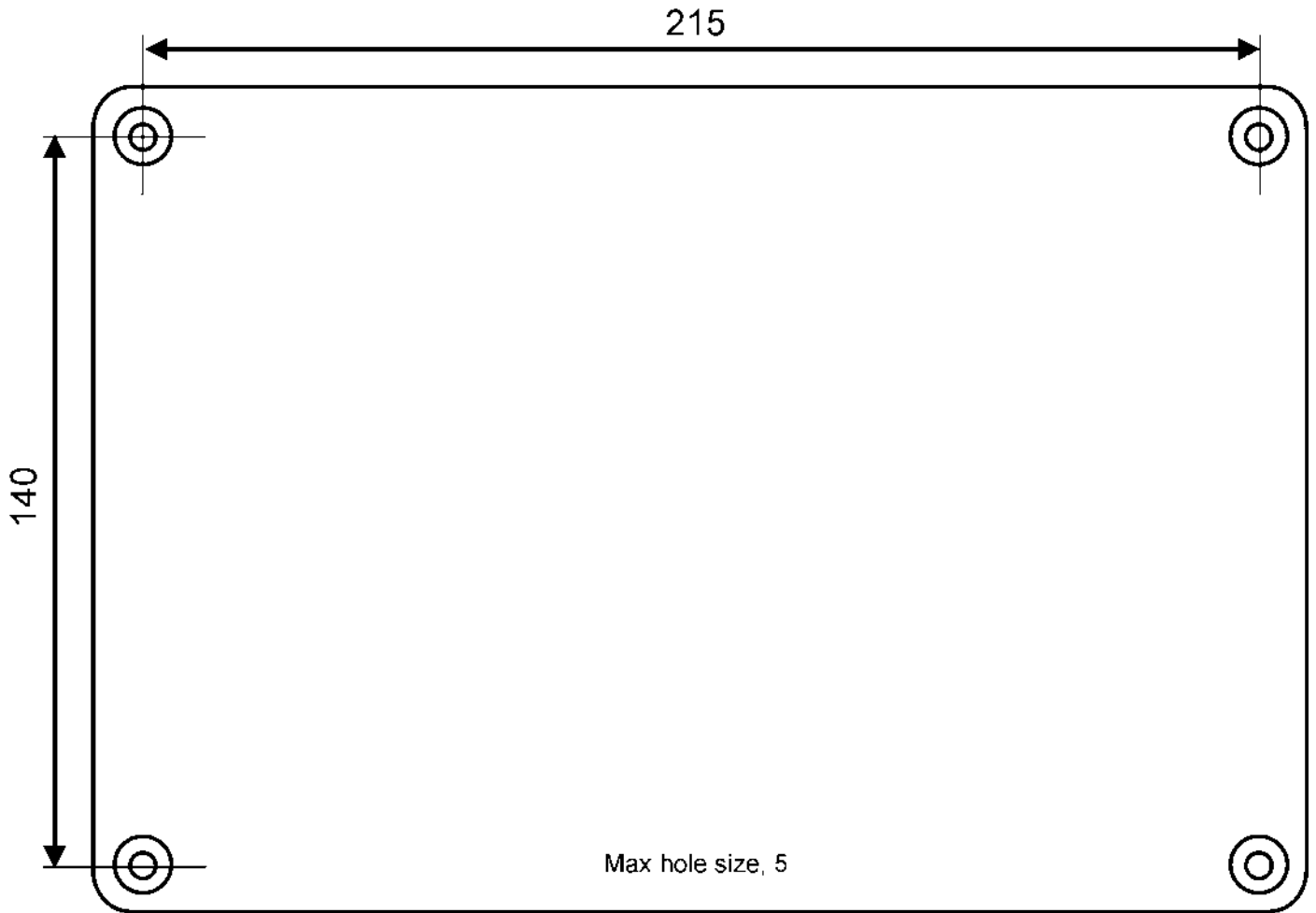
CHQ-MZ, CHQ-R, CHQ-S, CHQ-SIO OEM Modules



CHQ-B, CHQ-Z, CHQ-Z(IS) OEM Modules



Enclosure for CHQ-MZ, CHQ-R, CHQ-S, CHQ-SIO OEM Modules



Enclosure for CHQ-B, CHQ-Z, CHQ-Z(IS) OEM Modules



Hochiki Europe (UK) Ltd
Grosvenor Road, Gillingham Business Park,
Gillingham, Kent, ME8 0SA, England
Telephone: +44(0)1634 260133 Facsimile: +44(0)1634 260132
Email: sales@hochikieurope.com
Web: www.hochikieurope.com

Hochiki Europe (UK) Ltd. reserves the right to alter the specification of its products from time to time without notice. Although every effort has been made to ensure the accuracy of the information contained within this document it is not warranted or represented by Hochiki Europe (UK) Ltd. to be a complete and up-to-date description. Please check our web site for the latest version of this document.

AP076/ISS1/OCT04
All measurements shown are in millimetres and are approximate